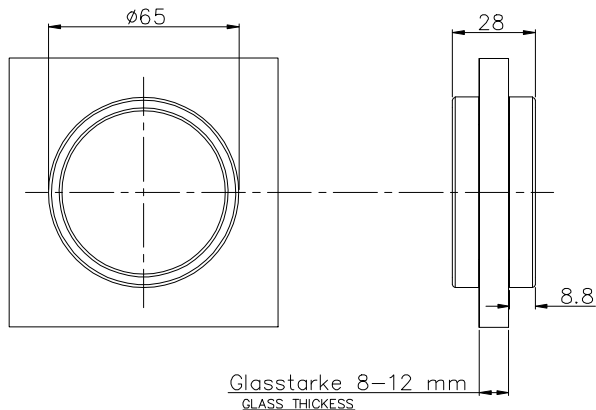
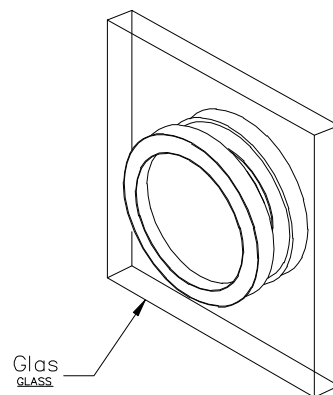
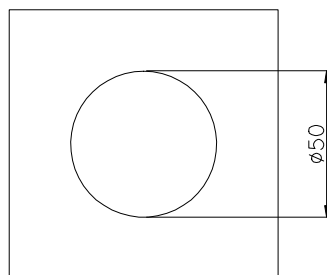


Außendurchmesser
HANDLE DIMENSIONS

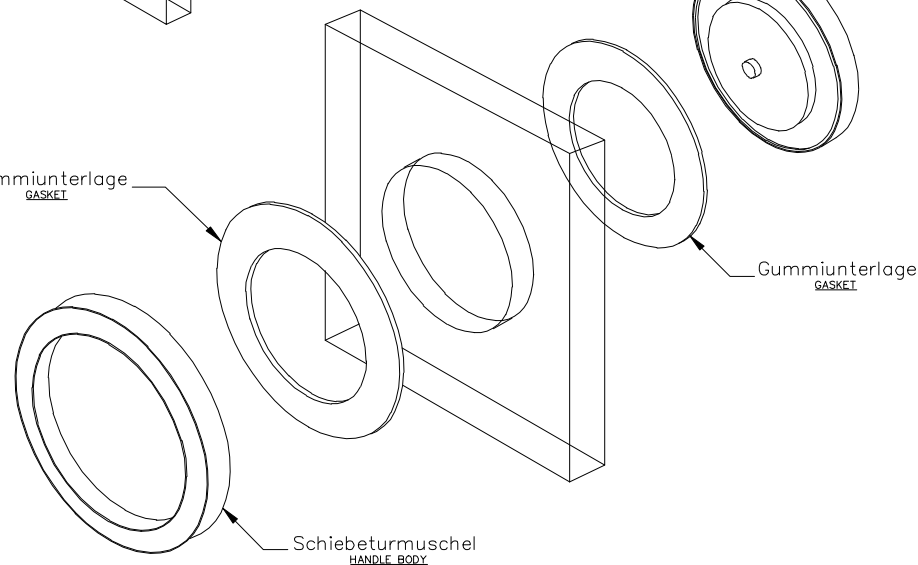


Glasbohrung
GLASS CUT



Gummiunterlage
GASKET

Schiebetürmuschel
HANDLE BODY



DIN ISO 2768 MIDDLE TOLERANCE				DIN 6935 ANGLE TOLERANCE				Material	Drawing type	Artical drawing	Customer Name	Projection						
>	0.5	3	6	30	120	400	1000	>	0°	30°	50°	80°	120°	surface	Version	1	Hermat	
≤	3	6	30	120	400	1000	2000	≤	30°	50°	80°	120°						
Length	±0.1	±0.1	±0.2	±0.3	±0.5	±0.8	±1.2	Tolerance	±2°	±1°45'	±1°30'	±1°15'	±1°					
Radii	±0.2	±0.5			±0.1													
								Team	Name	Date	Article name:							
								Design	Amanda	2009.11.13	Glas-Schiebetuermuschel 6403							
								Check			Customer No.:	028	Drawing No.:					
								Confirm by customer			File path of this drawing:							
								Approve			Paper size	A4	Drawing scale	1:2.5	Page	1		
								HERMAT Metallwaren GmbH			Part No.			Total	1			
								HERMAT Metallwaren GmbH										

All rights are reserved

HERMAT Metallwaren GmbH
Frohnbergstrasse 23
92256 Hahnbach